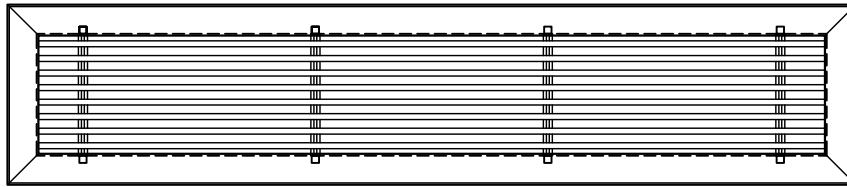


LBPH - LINEAR BAR GRILLES (PRESSED CORE)

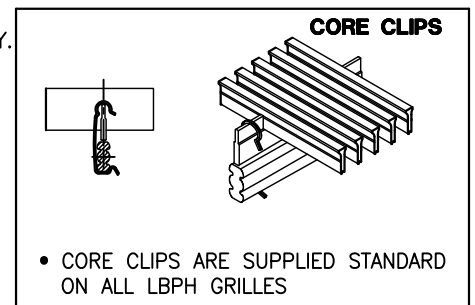


CORE STYLES

1/4" SPACING	1/2" SPACING		7/16" SPACING PENCIL PROOF
<p>□ 15A - 3/32" BARS</p> <p>1/4" (6mm) 3/32" (2mm)</p> <p>1/8" (28mm)</p> <p>0° DEFLECTION</p>	<p>□ 15B - 3/32" BARS</p> <p>1/2" (13mm) 3/32" (2mm)</p> <p>1/8" (28mm)</p> <p>0° DEFLECTION</p>	<p>□ 25B - 3/16" BARS</p> <p>1/2" (13mm) 3/16" (5mm)</p> <p>1/8" (28mm)</p> <p>0° DEFLECTION</p>	<p>□ 25C - 3/16" BARS</p> <p>7/16" (11mm) 3/16" (5mm)</p> <p>1/8" (28mm)</p> <p>0° DEFLECTION</p>
<p>□ 16A - 1/8" BARS</p> <p>1/4" (6mm) 1/8" (3mm)</p> <p>1/8" (28mm)</p> <p>15° DEFLECTION</p>	<p>□ 16B - 1/8" BARS</p> <p>1/2" (13mm) 1/8" (3mm)</p> <p>1/8" (28mm)</p> <p>15° DEFLECTION</p>	<p>□ 26B - 3/16" BARS</p> <p>1/2" (13mm) 3/16" (5mm)</p> <p>1/8" (28mm)</p> <p>15° DEFLECTION</p>	<p>□ 26C - 3/16" BARS</p> <p>7/16" (11mm) 3/16" (5mm)</p> <p>1/8" (28mm)</p> <p>15° DEFLECTION</p>
		<p>□ 27B - 3/16" BARS</p> <p>1/2" (13mm) 3/16" (5mm)</p> <p>1/8" (28mm)</p> <p>30° DEFLECTION</p>	<p>□ 27C - 3/16" BARS</p> <p>7/16" (11mm) 3/16" (5mm)</p> <p>1/8" (28mm)</p> <p>30° DEFLECTION</p>

NOTES:

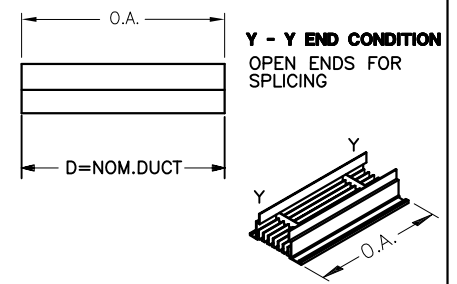
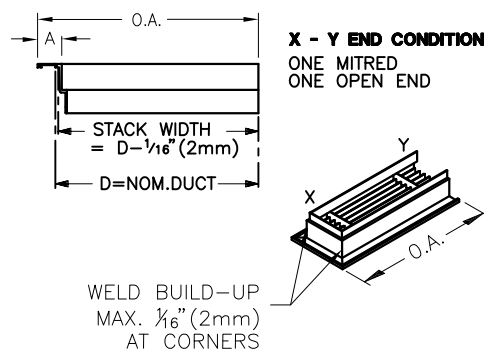
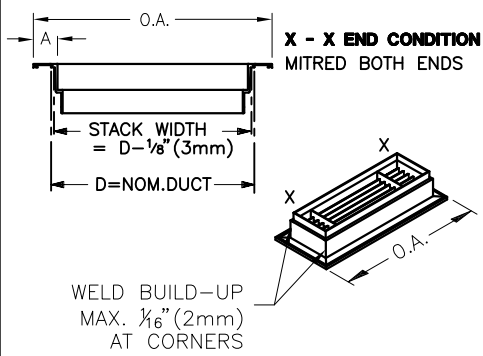
- EXTRUDED ALUMINUM CONSTRUCTION.
- B12 WHITE (STANDARD)
(OPTIONAL FINISHES AVAILABLE)
- BARS ARE FIXED AND PARALLEL TO LONG DIMENSION.
- MAXIMUM LENGTH ONE PIECE CONSTRUCTION = 72" (1829mm).
- 1 1/2" (38mm) MINIMUM WIDTH FOR FRAMES 750, 1000, 1000S, 1250 & CORE ONLY.
- 2" (51mm) MINIMUM WIDTH FOR FRAMES 125, 187 & CPF.
- SECTIONS CAN BE JOINED FOR CONTINUOUS APPEARANCE.
- SCREW MOUNTING HOLES PER FACTORY STANDARD.
- FACTORY TOLERANCE: ±1/32" (1mm) PER GRILLE SECTION.
- UNITS WIDER THAN 12" (305mm) ARE NOT RECOMMENDED FOR FLOOR APPLICATIONS. IF USED, ADDITIONAL STRUCTURAL SUPPORT MUST BE DESIGNED, SUPPLIED AND INSTALLED BY OTHERS.
- UNITS WIDER THAN 24" (610mm) ARE SUPPLIED IN MULTIPLE SECTIONS WITH MOUNTING CHANNEL(S).
- REMOVABLE CORE.
- CORE STYLES 15B, 16B, 25B, 26B, AND 27B NOT FOR FLOOR APPLICATIONS.
- CORE ONLY REQUIRES ADDITIONAL SUPPORT BY OTHERS.



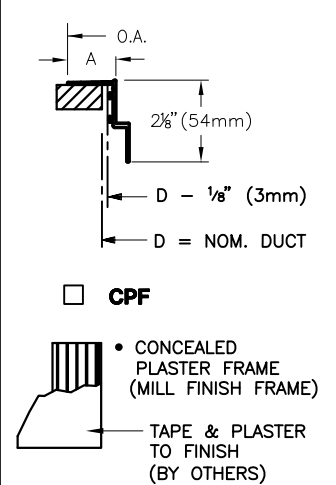
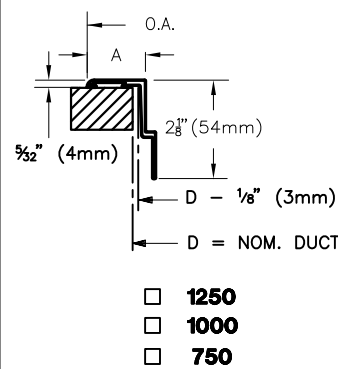
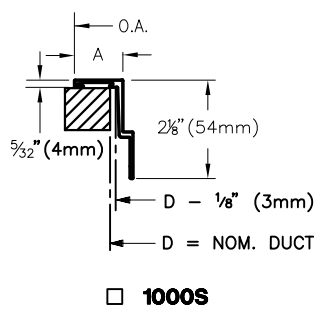
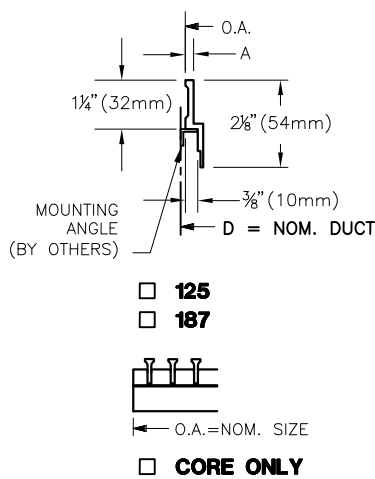
ALL METRIC DIMENSIONS () ARE SOFT CONVERTED. IMPERIAL DIMENSIONS ARE CONVERTED TO METRIC AND ROUNDED TO THE NEAREST MILLIMETER.

PROJECT:		PRICE®	
ENGINEER:		 274974	LBPH HEAVY DUTY LINEAR BAR GRILLES PRESSED CORE
CUSTOMER:			
SUBMITTAL DATE:	SPEC. SYMBOL:	2022/10/31	

END CONDITION



BORDER OPTIONS



BORDER STYLE	BORDER WIDTH (A)	OVERALL (O.A.) X-X	OVERALL (O.A.) X-Y	OVERALL (O.A.) Y-Y
<input type="checkbox"/> 1250	1 1/4" (32mm)	D + 2 1/8" (54mm)	D + 1 1/16" (27mm)	NOM DUCT
<input type="checkbox"/> 1000S	1" (25mm)	D + 1 5/8" (41mm)	D + 1 3/16" (21mm)	NOM DUCT
<input type="checkbox"/> 1000	1" (25mm)	D + 1 5/8" (41mm)	D + 1 3/16" (21mm)	NOM DUCT
<input type="checkbox"/> 750	3/4" (19mm)	D + 1 1/8" (29mm)	D + 9/16" (14mm)	NOM DUCT
<input type="checkbox"/> 125	1/8" (3mm)	D - 1/8" (3mm)	D - 1/16" (2mm)	NOM DUCT
<input type="checkbox"/> 187	3/16" (3mm)	D - 1/8" (3mm)	D - 1/16" (2mm)	NOM DUCT
<input type="checkbox"/> CPF	1 1/4" (32mm)	D + 2" (51mm)	D + 1" (25mm)	NOM DUCT
<input type="checkbox"/> CORE ONLY	N/A	NOM DUCT	NOM DUCT	NOM DUCT

ALL METRIC DIMENSIONS () ARE SOFT CONVERTED. IMPERIAL DIMENSIONS ARE CONVERTED TO METRIC AND ROUNDED TO THE NEAREST MILLIMETER.

PROJECT:

ENGINEER:

CUSTOMER:

SUBMITTAL DATE:

SPEC. SYMBOL:

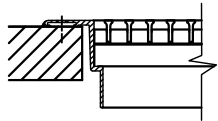
PRICE®

274974

2022/10/31

LBPH
HEAVY DUTY
LINEAR BAR GRILLES
PRESSED CORE

A - COUNTERSUNK SCREW

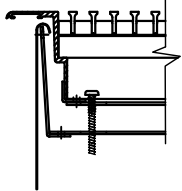


- FOR CEILING, WALL, & SILL APPLICATIONS AVAILABLE WITH BORDERS 1000,1250 & CPF

H - STRAIGHT HOLES

AVAILABLE ON 750 FRAME.

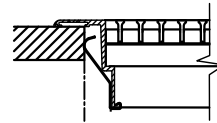
C - CONCEALED MTG BRKT



- FOR CEILING, SIDEWALL, FLOOR OR SILL APPLICATIONS. WITH CORE STYLES 15A, 16A, 26C, OR 27C REMOVE CORE FOR ACCESS TO CONCEALED BRACKET
- MAXIMUM WIDTH - FLOOR 12" (305mm) OR SILL 18" (457mm)

FASTENING

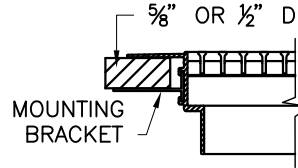
B - SPRING CLIP



- FOR SILL APPLICATIONS ONLY, NOT TO BE USED FOR CEILING OR WALL INSTALLATION.
- NOT AVAILABLE FOR 125, 187 & CPF BORDER STYLES

MP-DR

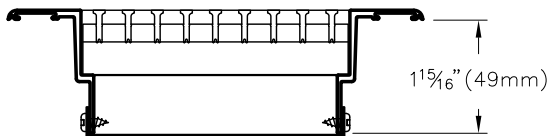
REVERSIBLE MOUNTING BRACKET



- FOR DRYWALL APPLICATION. AVAILABLE ONLY WITH CPF BORDERS

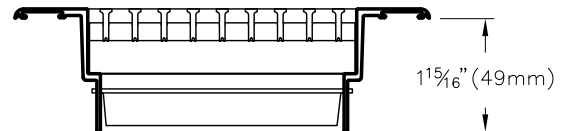
ACCESSORIES

MBL - METAL BLANK OFF SECTIONS



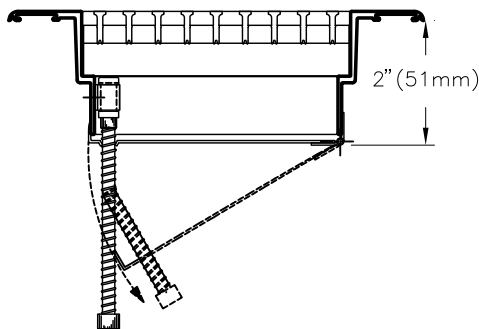
- INACTIVE SECTION - USE BLANK OFF STRIPS
- ORDER SEPARATELY

DV1 - DIRECTIONAL VANES



DIRECTIONAL VANES SPACED 1" (25mm) o/c.
MIN. NOM. WIDTH 2" (51mm)
MAX. NOM. WIDTH 12" (305mm)

VCS2

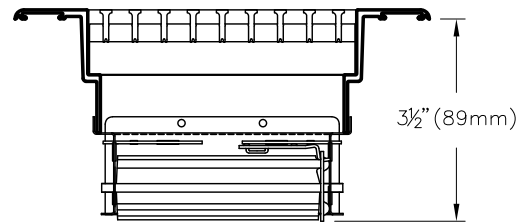


VCS2 FLAP DAMPER SCREW DRIVER OPERATOR ON 3" (76mm) THROUGH 8" (203mm) NOM. WIDTHS. FRICTION HINGE ON 1 1/2" (38mm) THROUGH 2 1/2" (64mm) NOM. WIDTHS.



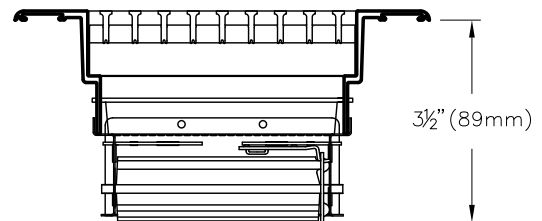
SCAN FOR LINK TO ADDITIONAL PRODUCT INFORMATION AND INSTALLATION INSTRUCTIONS

VCS3



VCS3 OPPOSED BLADE DAMPER
MIN. DAMPER WIDTH = 2 1/2" (64mm)
MIN. WIDTH = 3" (76mm) FOR 125, 187 & CPF FRAMES

DV1/VCS3



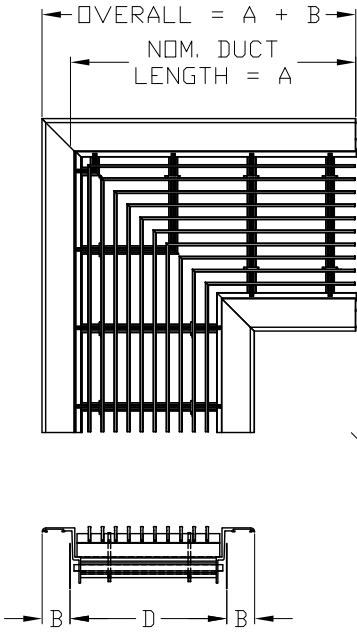
DV DIRECTIONAL VANES AND VCS3 OPPOSED BLADE DAMPER
MIN. DAMPER WIDTH = 2 1/2" (64mm)
MIN. WIDTH = 3" (76mm) FOR 125, 187 & CPF FRAMES

ALL METRIC DIMENSIONS () ARE SOFT CONVERTED. IMPERIAL DIMENSIONS ARE CONVERTED TO METRIC AND ROUNDED TO THE NEAREST MILLIMETER.

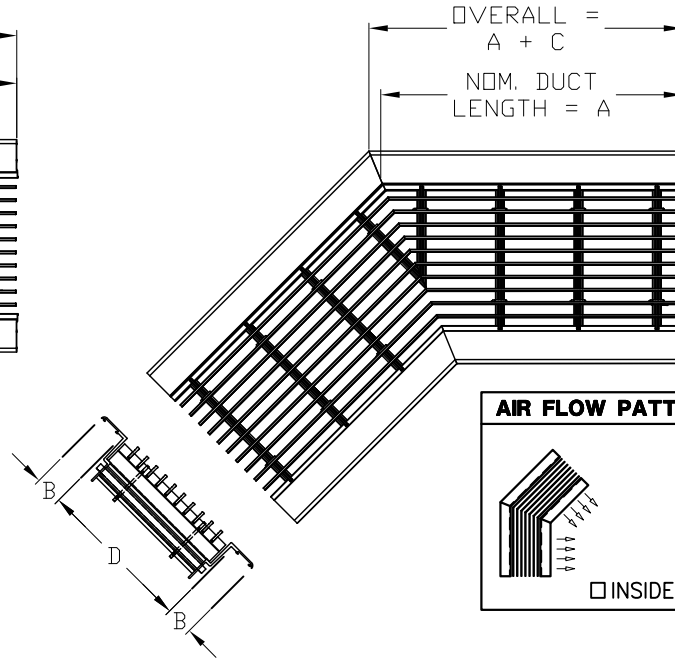
PROJECT:		PRICE®	
ENGINEER:			
CUSTOMER:		274974	
SUBMITTAL DATE:	SPEC. SYMBOL:	2022/10/31	

MC90, MC135, MCSI AND MCSO MITRED CORNERS FOR LBPH

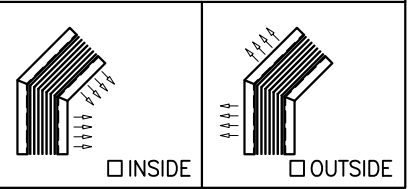
☐ **MC90** - 90° MITRED CORNER



☐ **MC135** - 135° MITRED CORNER



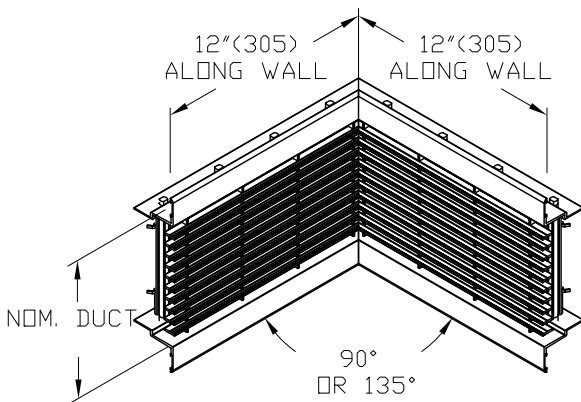
AIR FLOW PATTERN (135 SHOWN)



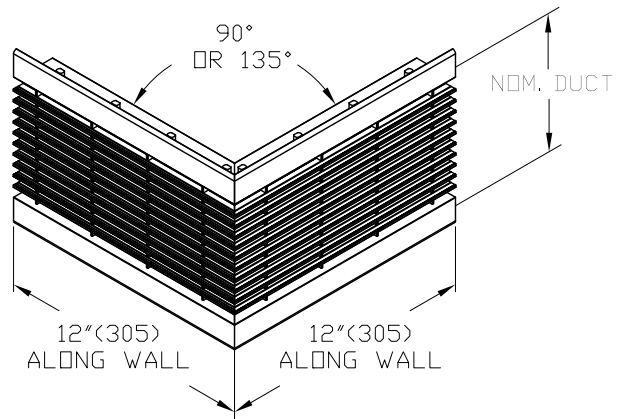
D = NOM. DUCT SIZE	A
LARGER THAN 8" (203) TO 14" (356)	18" (457)
EQUAL TO OR LESS THAN 8" (203)	12" (305)

FRAME TYPE	B	C
CPF	1" (25)	1 7/32" (13)
1250	1 1/16" (27)	9/16" (14)
1000, 1000S	1 3/16" (21)	7/16" (11)
750	9/16" (14)	5/16" (8)
187	-1/16" (2)	-1/32" (1)
125	-1/16" (2)	-1/32" (1)

☐ **MCSI** - MITRED CORNER SIDEWALL INSIDE



☐ **MCSO** - MITRED CORNER SIDEWALL OUTSIDE



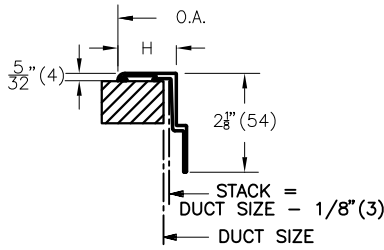
ALL METRIC DIMENSIONS () ARE SOFT CONVERTED. IMPERIAL DIMENSIONS ARE CONVERTED TO METRIC AND ROUNDED TO THE NEAREST MILLIMETER.

PROJECT:		PRICE®
ENGINEER:		
CUSTOMER:		266986
SUBMITTAL DATE:	SPEC. SYMBOL:	2016/07/06

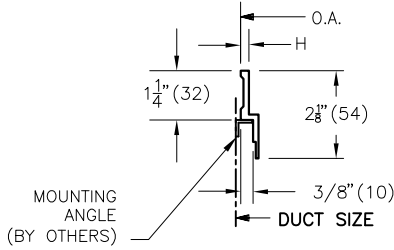
MC-LBPH
MITRED CORNER
LINEAR GRILLES
FOR LBPH

MC90, MC135, MCSI AND MCSO MITRED CORNERS FOR LBPH

BORDER OPTIONS

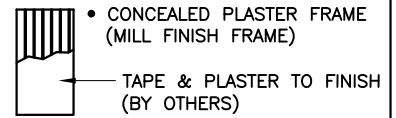


BORDER STYLE	BORDER WIDTH (H)	OVERALL (O.A.)
<input type="checkbox"/> 1250	1 1/4" (32)	D + 2 1/8" (54)
<input type="checkbox"/> 1000	1" (25)	D + 1 5/8" (41)
<input type="checkbox"/> 1000S	1" (25)	D + 1 5/8" (41)
<input type="checkbox"/> 750	3/4" (19)	D + 1 1/8" (29)
<input type="checkbox"/> CPF	1 1/4" (32)	D + 2" (51)



BORDER STYLE	BORDER WIDTH (H)	OVERALL (O.A.)
<input type="checkbox"/> 125	1/8" (3)	D - 1/8" (3)
<input type="checkbox"/> 187	3/16" (5)	D - 1/8" (3)

FOR CPF FRAME ONLY



CORE STYLES

1/4" SPACING	1/2" SPACING	7/16" SPACING PENCIL PROOF
<input type="checkbox"/> 15A 3/32"(2) BARS 0° DEFLECTION	<input type="checkbox"/> 15B 3/32"(2) BARS 0° DEFLECTION	<input type="checkbox"/> 25C 3/16"(5) BARS 0° DEFLECTION
<input type="checkbox"/> 16A 1/8"(3) BARS 15° DEFLECTION	<input type="checkbox"/> 16B 1/8"(3) BARS 15° DEFLECTION	<input type="checkbox"/> 26C 3/16"(5) BARS 15° DEFLECTION
	<input type="checkbox"/> 27B 3/16"(5) BARS 30° DEFLECTION	<input type="checkbox"/> 27C 3/16"(5) BARS 30° DEFLECTION

NOTES:

- FOR FLAT MITRE WITH 16A, 16B, 26B, 26C, 27B AND 27C FLOW DEFLECTION MUST BE SPECIFIED.
- FACTORY TOLERANCE ± 1/32" (± 1mm)
- ANGULAR TOLERANCE ± 2°

FINISH:

- B12 WHITE (OPTIONAL FINISHES AVAILABLE)

ALL METRIC DIMENSIONS () ARE SOFT CONVERTED. IMPERIAL DIMENSIONS ARE CONVERTED TO METRIC AND ROUNDED TO THE NEAREST MILLIMETER.

PROJECT:

ENGINEER:

CUSTOMER:

SUBMITTAL DATE:

SPEC. SYMBOL:

2016/07/06



MG

MC-LBPH
MITRED CORNER
LINEAR GRILLES
FOR LBPH